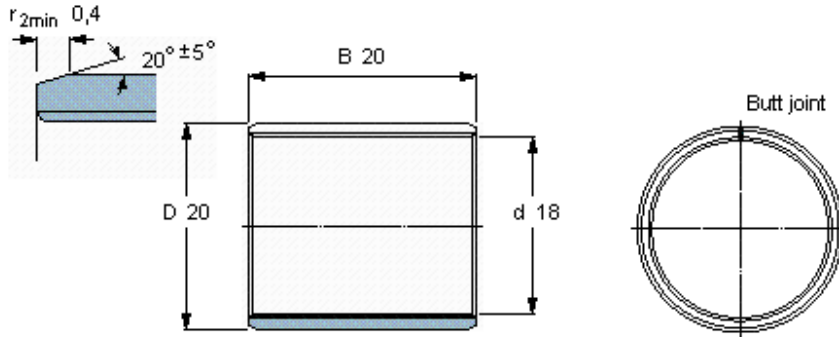


Composite dry sliding bushings, metric dimensions

Principal dimensions			Basic load ratings		Mass	Designation
d	D	B	dynamic C	static C0		
mm			kN		kg	-
<b>18</b>	20	20	29	90	0,0088	PCM 182020 E



**Specific load factor** K 80  
**Material constant**  $K_M$  480